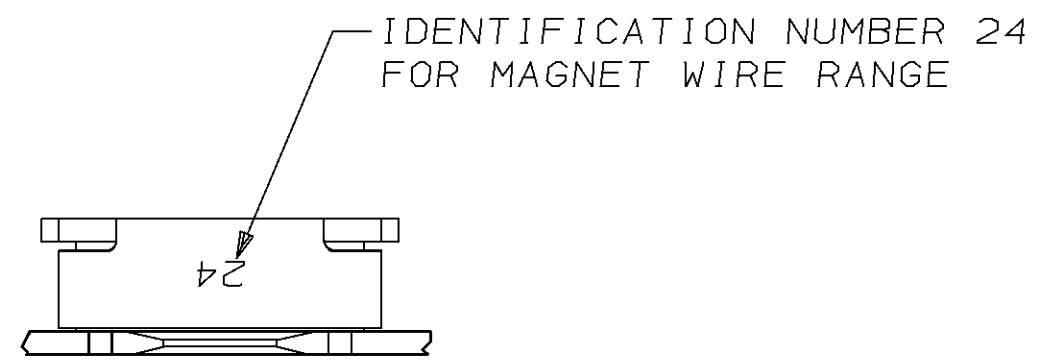
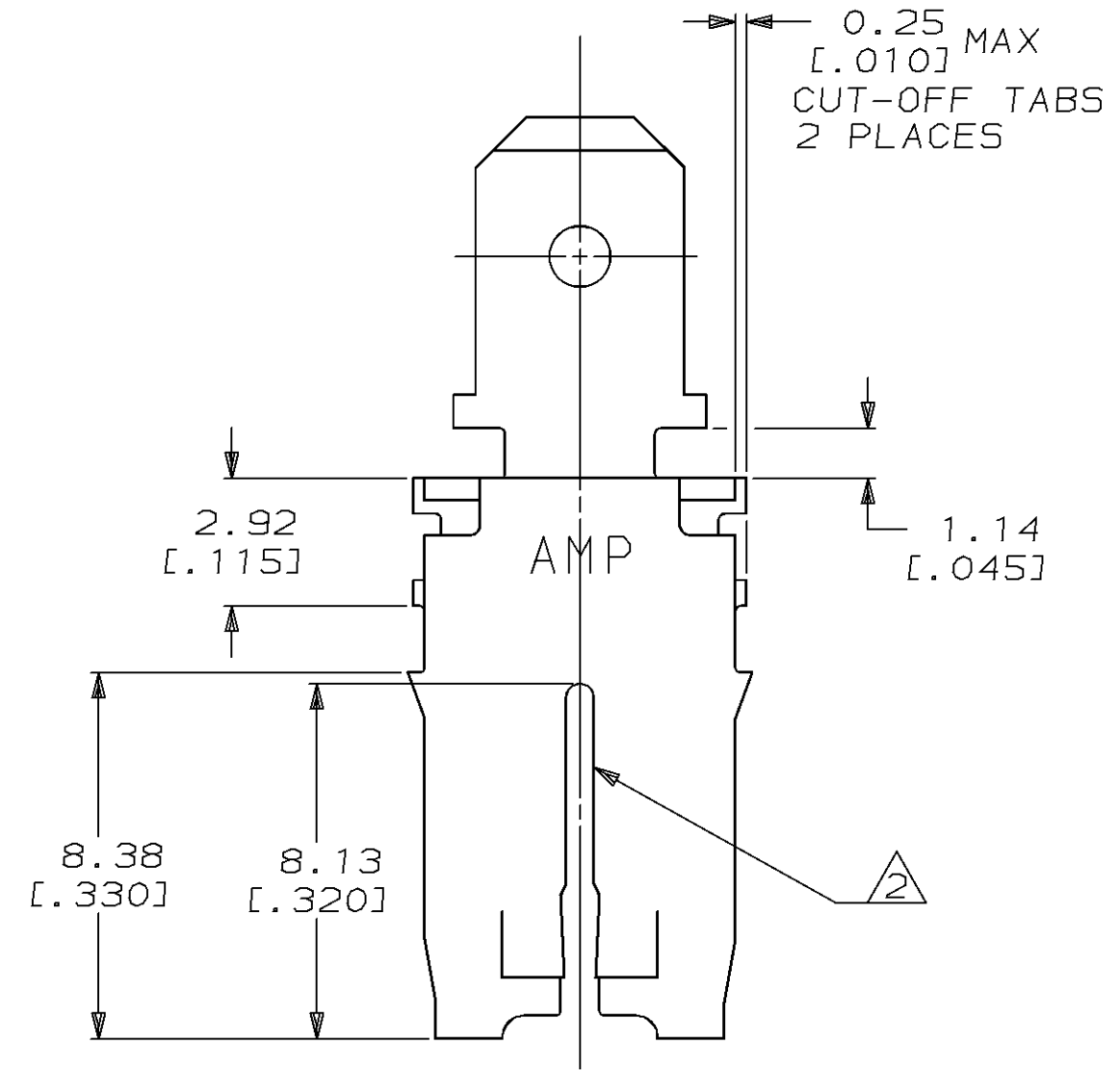
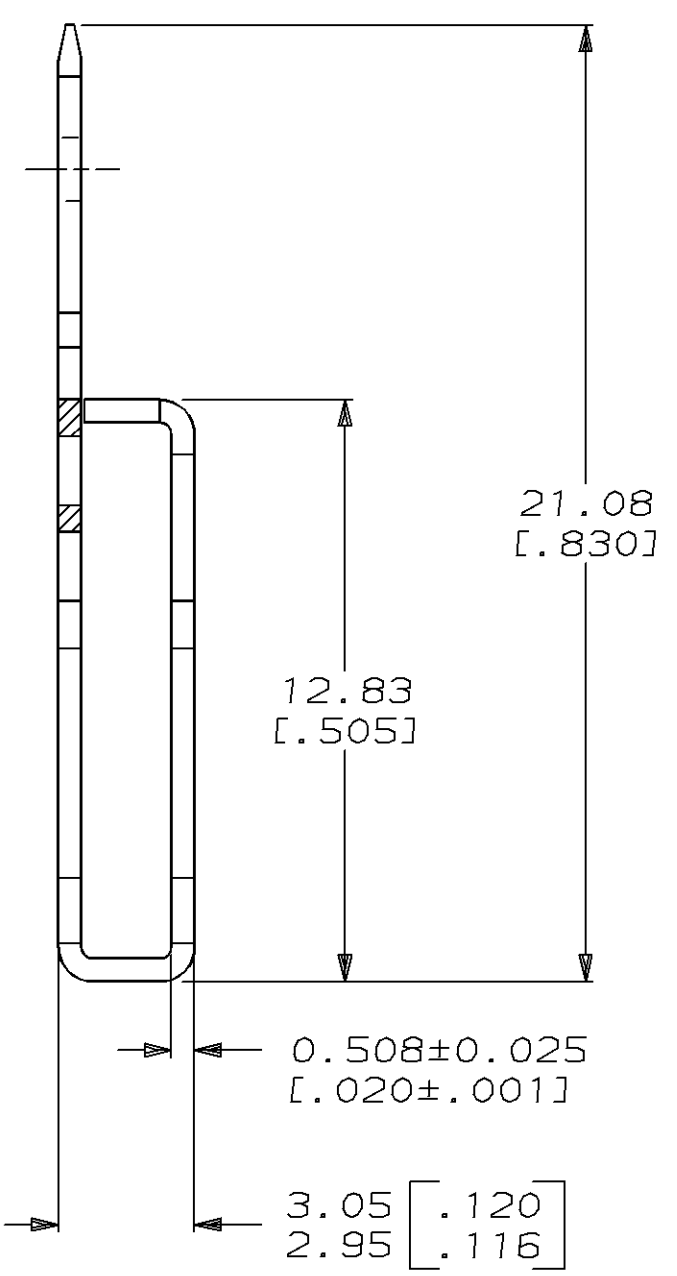
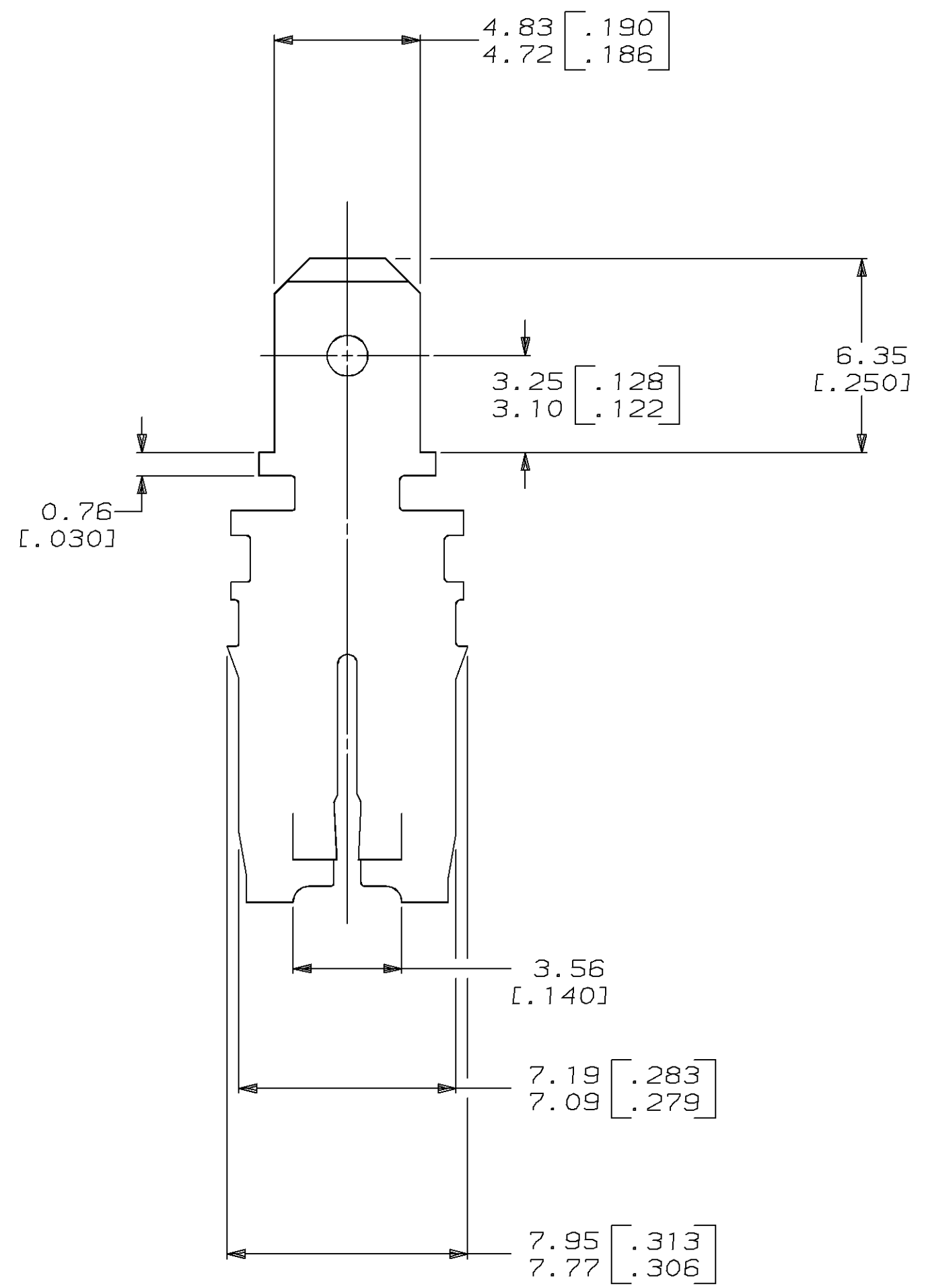


LOC	DIST	P	F	ZONE	LTR	REVISIONS	DATE	APPD
AF	50				A	REL -1 PER 0180-94	7/13/94	JR/MF



- 1 VARNISH RESIST OVER 0.002032 [.000080] MIN TIN PER 10727.
- 2 SLOT ACCEPTS 0.91-1.15mm [#19-#17] AWG COPPER MAGNET WIRE. 2 WIRES OF THE SAME SIZE MAX PER SLOT.
- 3 AFTER INSERTION INTO PLASTIC HOLDER TAB PORTION MUST BE BENT OVER 45° TO 90° OR POTTED-IN TO PREVENT PULL-OUT WHEN MATING RECEPTACLE IS DISCONNECTED.



LOOSE PIECE	63643-1
TYPE	PART NO

DO NOT SCALE PRINT. UNLESS SPECIFIED DIMENSIONS IN mm [INCHES] TOLERANCES ON : 2 PLC DEC ± 0.25 [.010] 3 PLC DEC ± - ANGLES ± -	DR 3/7/92 MICHAEL S. FEHER	AMP AMP Incorporated Harrisburg, PA 17105-3608
	CHK 3/9/92 JEFF R. RUTH	
MATERIAL 4M BRASS	APPD 3/11/92 NELSON E. NEFF	NAME TAB, 4.75 [.187] FASTON™, MAG-MATE™
FINISH 1	APPD 3/12/92 TERRY L. SHUTTER	SIZE C
	PRODUCT SPEC 108-2012	CAGE CODE 00779
	APPLICATION SPEC 114-2066	DRAWING NO 63643
	WEIGHT -	SCALE 6:1
		SHEET 1 OF 1

